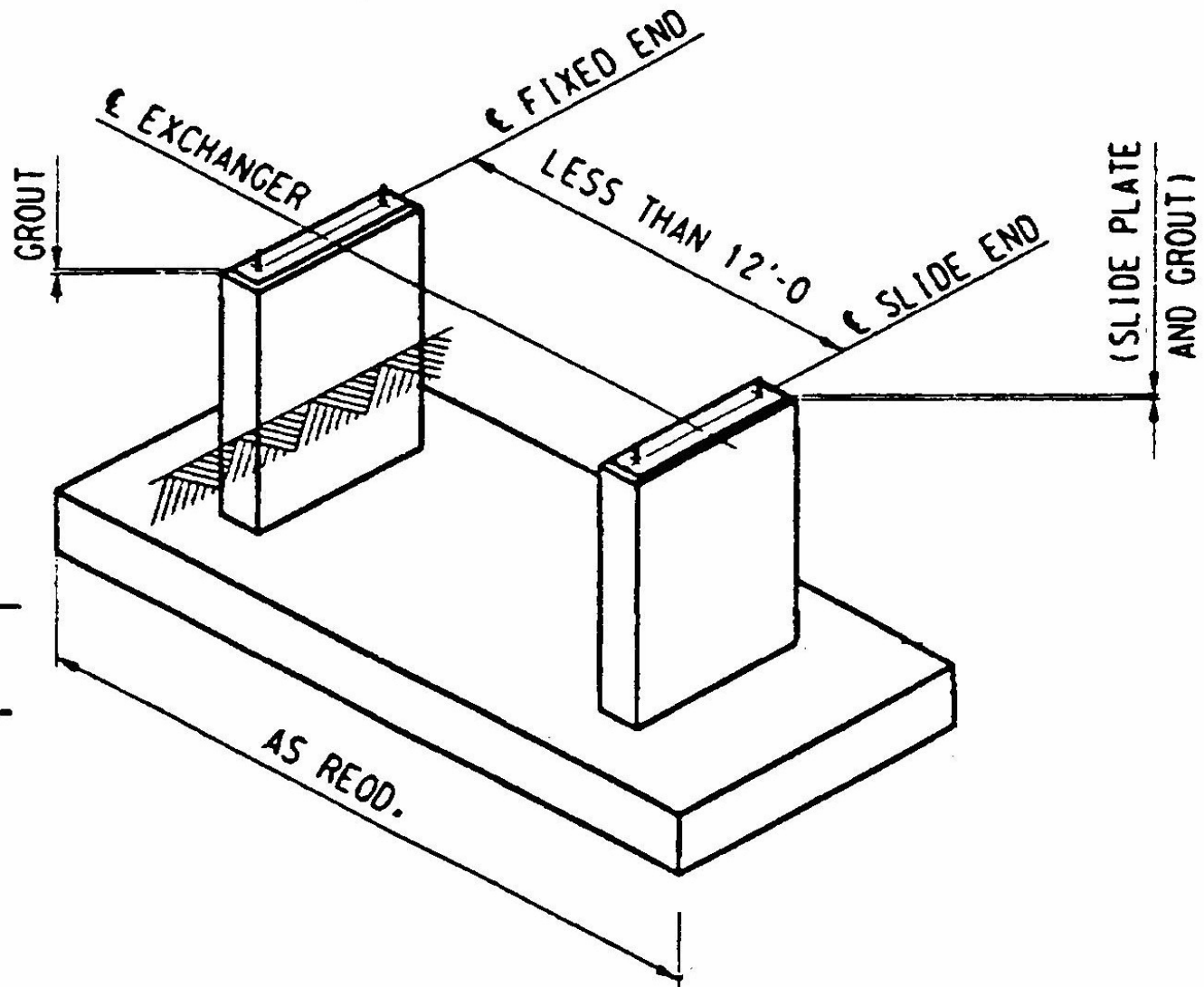


DUAL FOOTING

PREPD. BY: S. ROY

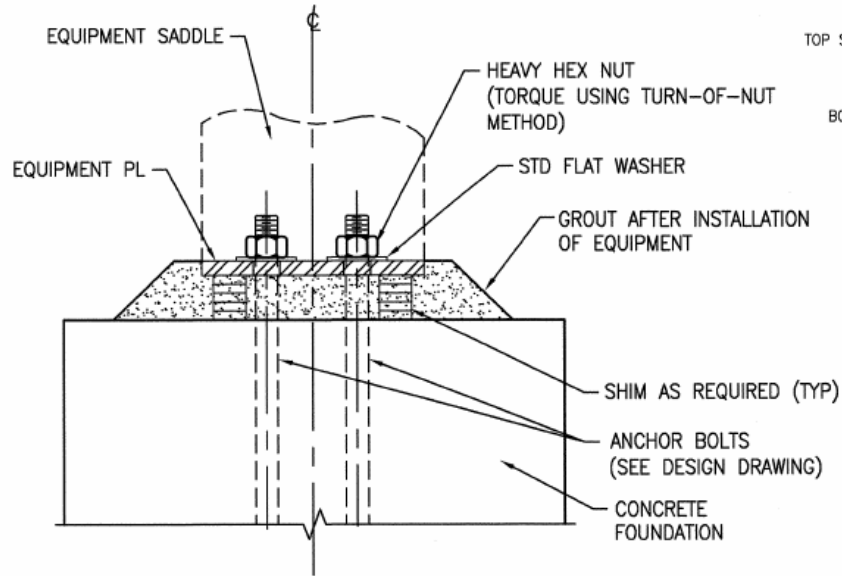
[Http://www.civildesignhelp.info/](http://www.civildesignhelp.info/)

COMBINED
FOOTING



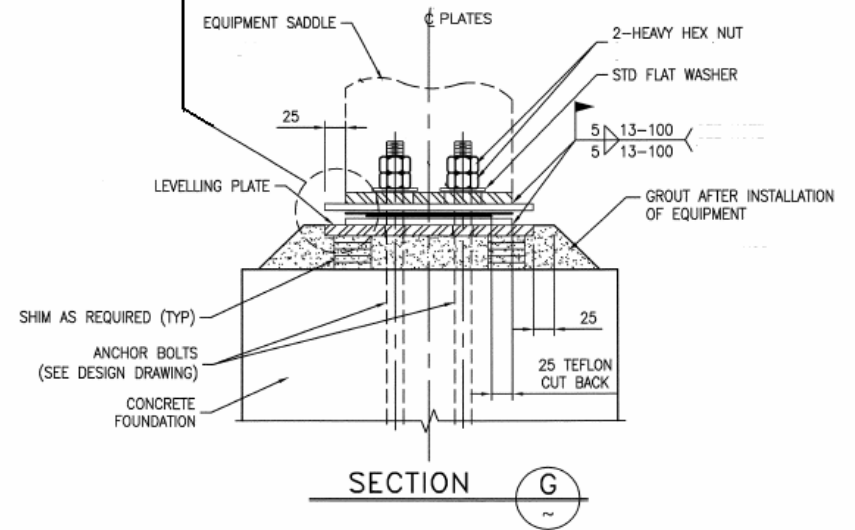
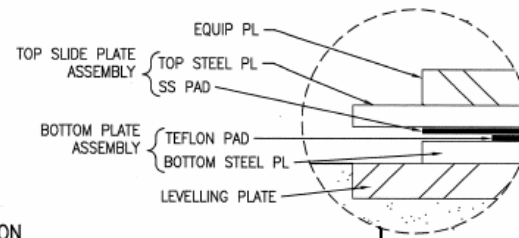
PREPD. BY: S ROY

<http://www.civildesignhelp.info>



(FOR EQUIPMENT SUPPORTED BY TWO BOLT ROWS)

FIXED END DETAILS



SLIDING END DETAILS

PREPD. BY: S ROY

<http://www.civildesignhelp.info>