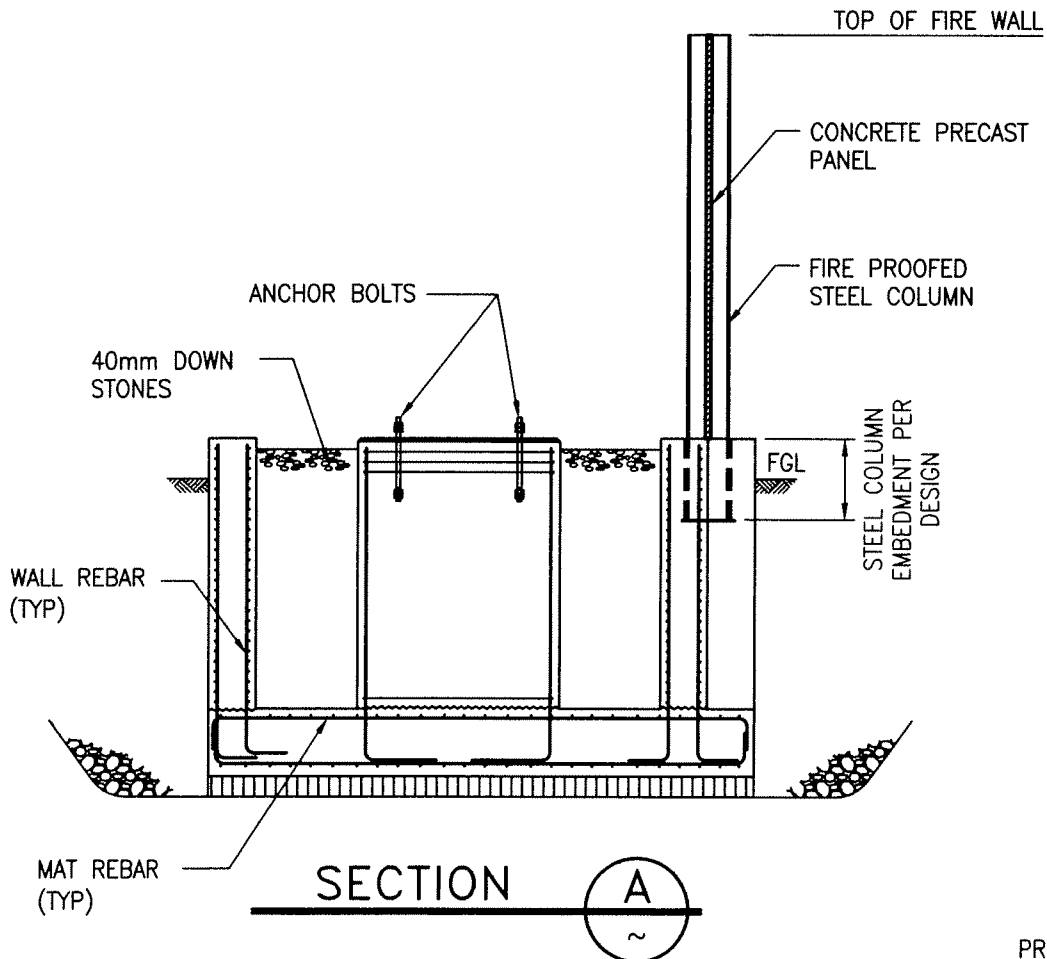


PLAN



SECTION



PREPD BY : RASHI K.R

TYPICAL FOUNDATION AND CONTAINEMENT DETAIL FOR TRANSFORMER