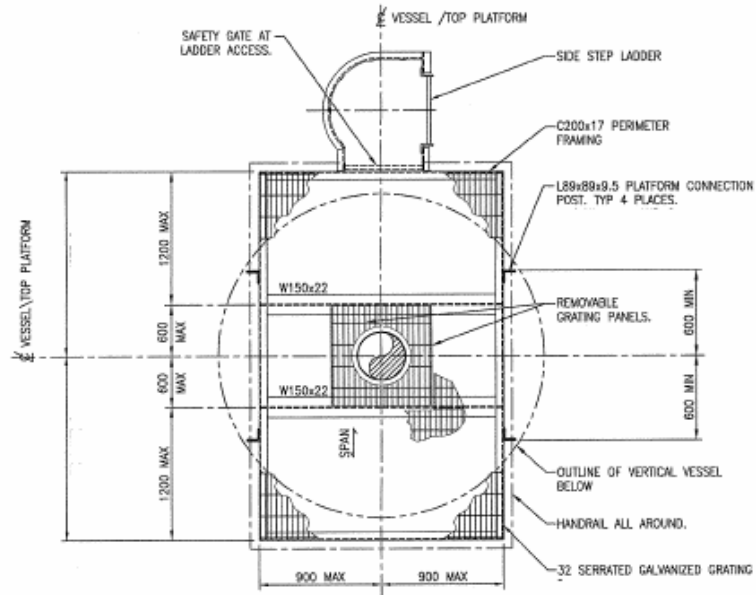


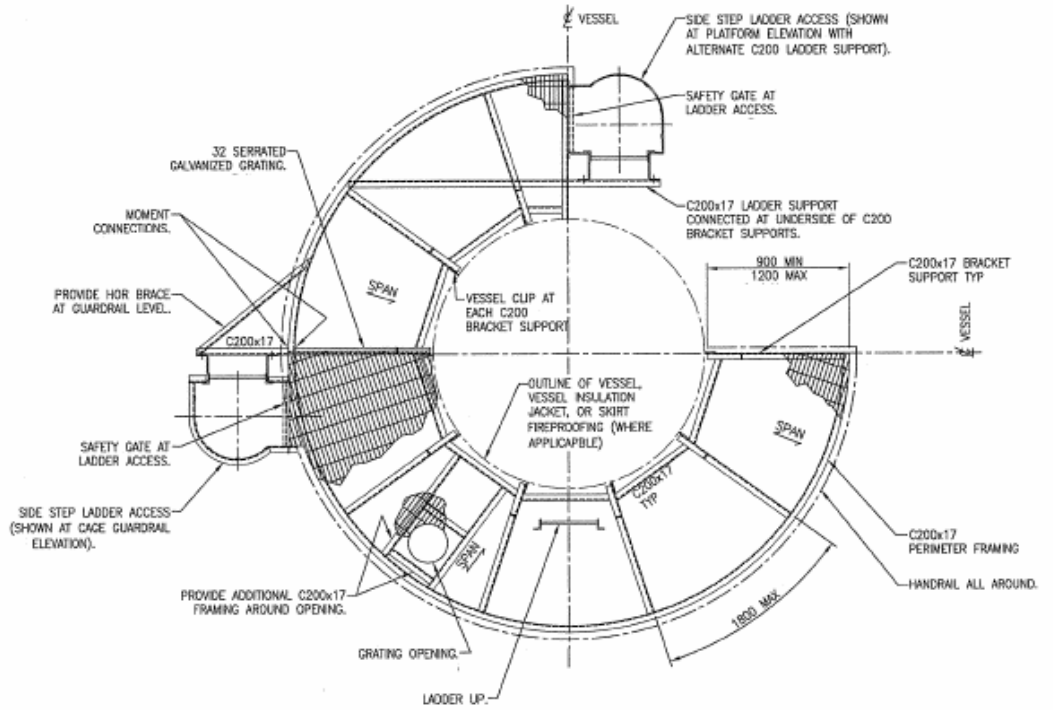
FOUNDATION DETAIL FOR VERTICAL VESSEL

PREPD. BY: S. ROY

[Http://www.civildesignhelp.info/](http://www.civildesignhelp.info/)



VERTICAL VESSEL TOP PLATFORM LAYOUT



VERTICAL VESSEL CIRCULAR PLATFORM LAYOUT

TYPICAL PLATFORM LAYOUT FOR VERTICAL VESSEL

PREPD. BY: S ROY

<http://www.civildesignhelp.info>